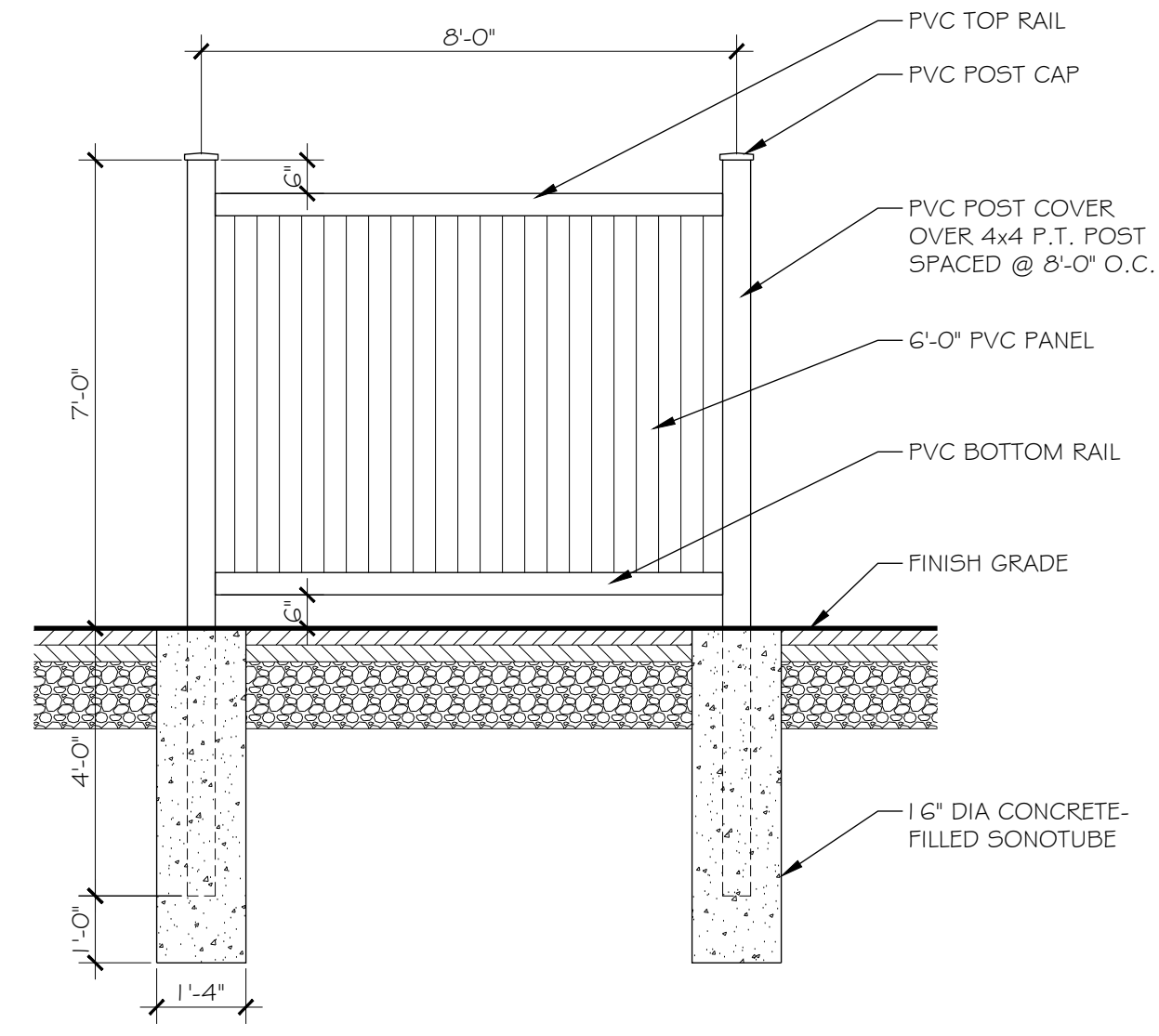


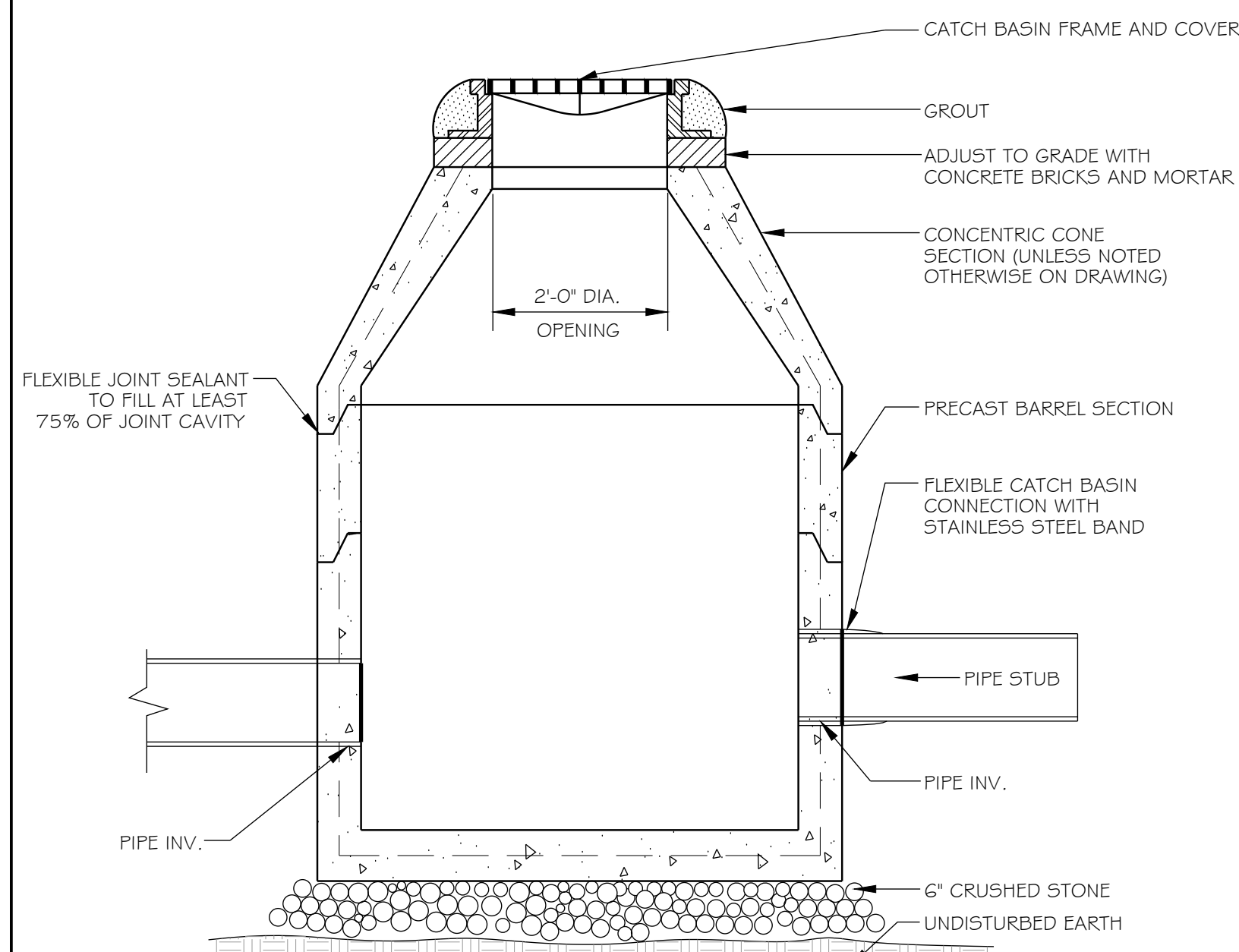
3 NEW STORAGE SHED ELEVATIONS

C100 SCALE: 3/8" = 1'-0"



2 NEW PVC FENCE DETAIL

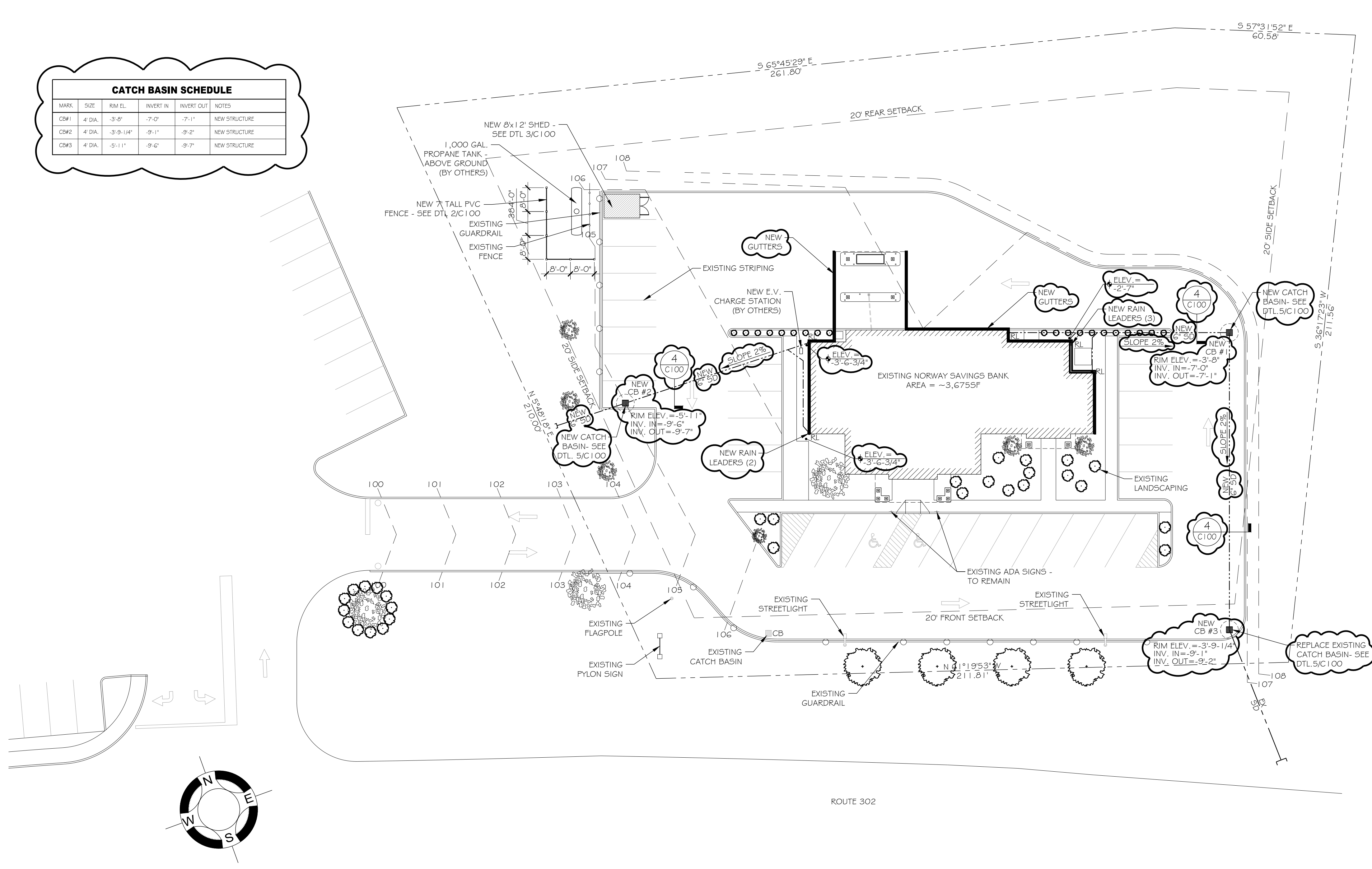
C100 SCALE: 3/8" = 1'-0"



5 TYPICAL 4' DIA. CATCH BASIN DTL.

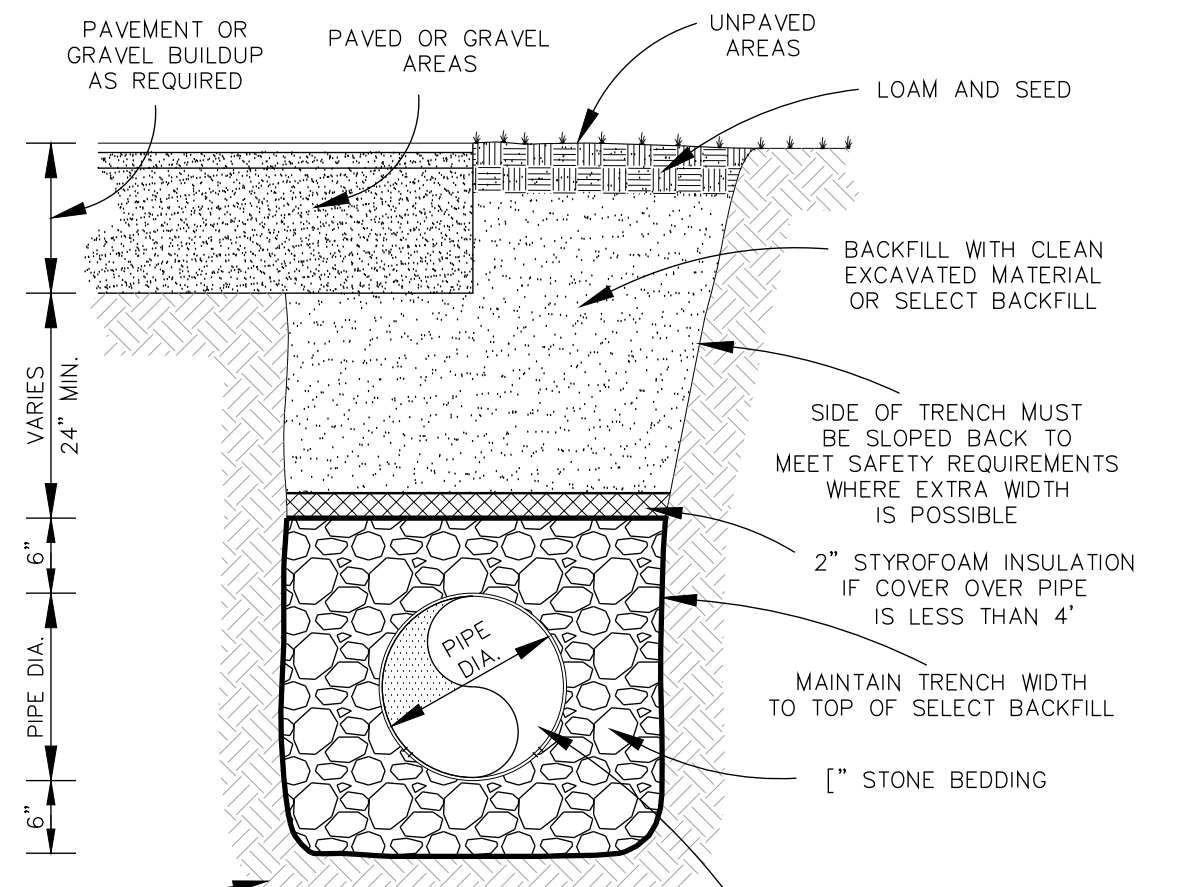
C100 SCALE: N.T.S.

CATCH BASIN SCHEDULE					
MARK	SIZE	RIM EL.	INVERT IN	INVERT OUT	NOTES
CB#1	4 DIA.	-3.6'	-7.0'	-7.1'	NEW STRUCTURE
CB#2	4 DIA.	-3.9-1/4'	-9.1'	-9.2'	NEW STRUCTURE
CB#3	4 DIA.	-5.11'	-9.6'	-9.7'	NEW STRUCTURE



1 SITE PLAN

SCALE: 1" = 20'-0"

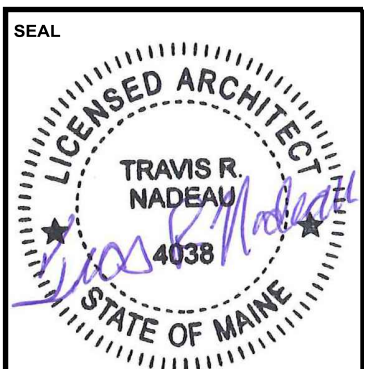


4 STORM WATER PIPING TRENCH DTL.

C100 SCALE: N.T.S.

PLATZ ASSOCIATES
Architects - Engineers
Construction Managers
Tel 207-784-2941
Fax 207-784-3866
Two Great Falls Plaza, Auburn, Maine 04210

Proposed Renovation of:
NORWAY SAVINGS BANK
U.S. Route 302
Naples, Maine



- DRAWING STATUS
- OFFICE REVIEW
 - CLIENT REVIEW
 - PERMIT REVIEW
 - BID SET
 - CONTRACT DRAWING
 - CONSTRUCTION

No drawing shall be recognized as a construction document unless it bears a blue inked registration seal.

SHEET TITLE
SITE PLAN & DETAILS

JOB NO. **202202**

DRAWN BY **WAP** CHECKED BY **TRN**

SCALE **AS NOTED**

ORIGINAL DATE **06-22-2022**

REVISION DATE **04-07-2023**

SHEET

C100